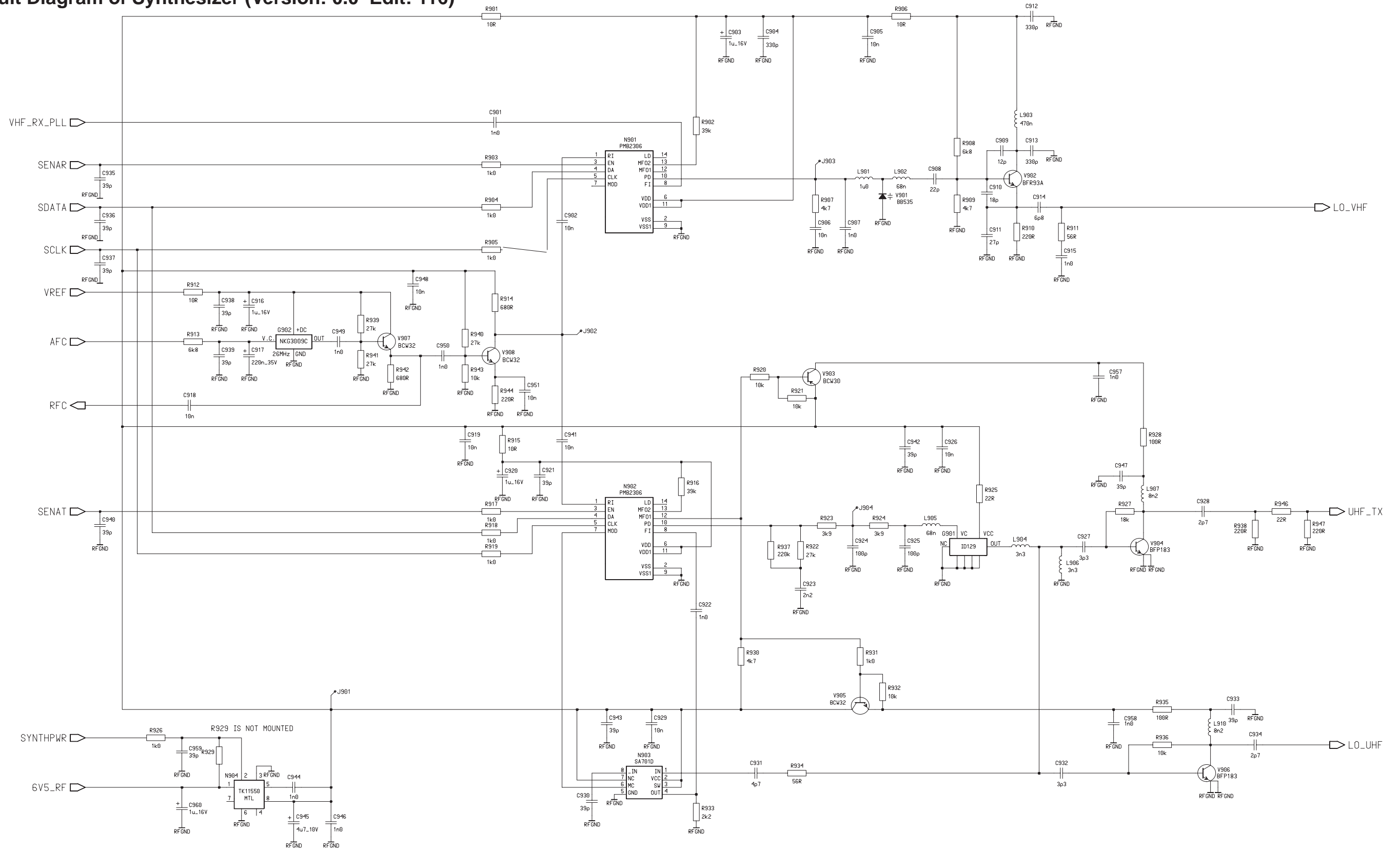


Circuit Diagram of Synthesizer (Version: 0.0 Edit: 116)



- C952 - C955
- R937
- R938
- L904
- L908
- L909
- C901 - C960
- R901 - R944
- N901 - N904
- V901 - V908
- L901 - L911
- G901 - G902